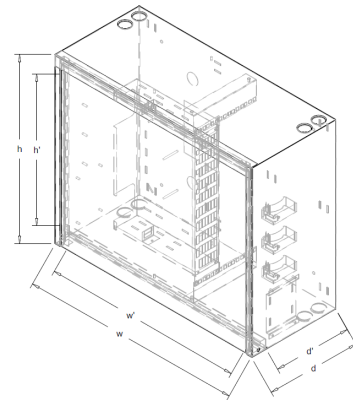


## "M" Standard Cabinet

### DESCRIPTION:

Cabinet designed for wall mounting in places particularly vulnerable to devastation and burglary.

- Material: steel sheet thickness 1.5 mm.,
- Colour RAL7035 light gray, thick structure,
- Closing by 2 padlocks T-13 Barrel with a diameter of 8mm.,
- Equipped with a fiber optic switch 19" 3U mounted on rack mountings with a Direct access to fibre optic cassettes,
- Commutation field for 64 SC Duplex and 6 SC Simplex connectors,
- A separate place for mounting an optical splitter.



Symbol	External dimensions (mm)			Internal dimensions (mm)		
	height (h)	width (w)	depth (d)	height (h')	width (w')	depth (d')
<b>M-58/70/30 ST</b>	582	700	302	513,5	628	248,5



**M 58/70/30 ST**

indoor